

# KM-901M\_H50

## MODULAR CRESCENT CUBER

Item # \_\_\_\_\_

Project: \_\_\_\_\_

Qty: \_\_\_\_\_

\*AutoCad available on KCL

KM-901M\_H50

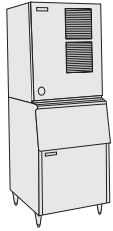
9/10

Item # 13268

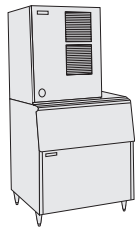
### CUBER DIMENSIONS

W x D x H

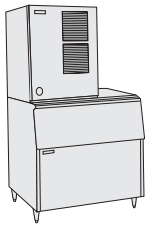
**KM-901M\_H50**  
30 x 27<sup>3/8</sup> x 37<sup>7/16</sup>



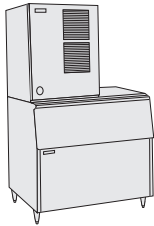
B-500



B-700



B-800



B-900



### KM-901MAH50

Air-Cooled




Shown on an optional  
B-900

### KM-901MRH50

Remote Air-Cooled | Phase

Also available on Large Bins:

B-1150SS  
B-1300SS  
B-1500SS  
B-1650SS

- Up to 402 kgs. of ice production per 24 hours
- Durable stainless steel exterior
- Individual crescent cube
- Protected by *HoshiGuard* Antimicrobial Agent 
- CycleSaver® Design 
- EverCheck® alert system 
- Stainless steel evaporator
- Removable air filters (Air-cooled model only)
- R-404A Refrigerant



### Warranty

Contact factory for warranty information.



# Hoshizaki

## KM-90IM\_H50 MODULAR CRESCENT CUBER

**DIMENSIONS**  
W x D x H  
**KM-90IM\_H50**  
30 x 27<sup>3/8</sup> x 37<sup>7/16</sup>

- Air-cooled
- Remote Air-cooled

### AIR-COOLED

Water Temp° C.	10°	21°	32°	
Air Temp° C.	21°	398	375	349
	27°	381	345	322
	32°	375	320	295

### REMOTE AIR-COOLED

Water Temp° C.	10°	21°	32°	
Air Temp° C.	21°	402	385	358
	27°	389	363	334
	32°	385	345	316

### UTILITY CONSUMPTION at 32°C A/ 21°C W

Model Number	Ice Production Per Cycle		KWH per 45 Kgs.	Potable Water Liters per 45 kgs.	Condenser Water Liters per 45 kgs.
	Kgs.	Cubes			
KM-901MAH50	6.2	720	5.1	60	N/A
KM-901MRH50	6.2	720	5.0	60	N/A

### SPECIFICATIONS

Model Number	Condenser	Amperage	Min. Circuit Ampacity	Shipping Weight
KM-901MAH50	Air-Cooled	9.0	20	116 kgs.
KM-901MRH50	Remote Air-Cooled	9.2	20	113 kgs.

### STORAGE BINS

Model Number	Application Capacity
B-500	227 kgs.
B-700	318 kgs.
B-800	363 kgs.
B-900	409 kgs.
B-1150	522 kgs.
B-1300	578 kgs.
B-1500	676 kgs.
B-1650	728 kgs.

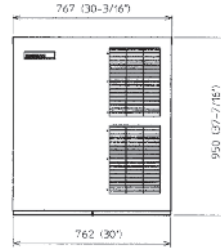
### ELECTRICAL & PLUMBING/KM-90IM\_H50

- 220-240/50/1
- 20 amp Max Fuse/HACR Breaker Size
- 0.95cm copper or equivalent independent potable water supply
- 3/4" FPT independent drain connection

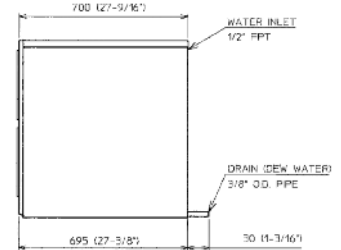


© HOSHIZAKI AMERICA, INC.

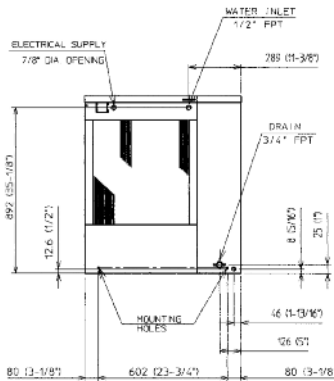
618 Hwy. 74 S., Peachtree City, GA 30269



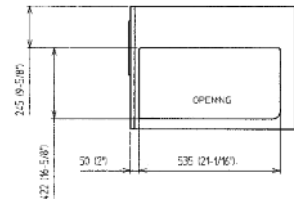
FRONT VIEW (Air-Cooled)



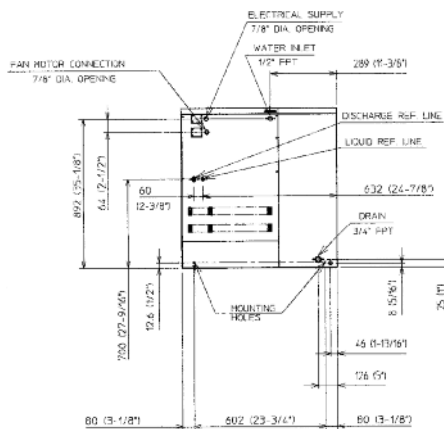
SIDE VIEW (Air-cooled)



AIR-COOLED UNIT

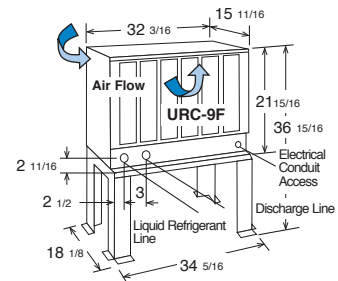


ICE DROP ZONE



REMOTE AIR-COOLED UNIT

**URC-9F Remote Condenser** (Sold Separately)  
For Use with KM-901MRH50



#### Pre-Charged Tubing Kits

- (Sold Separately)
- 20' R404-2068-2
- 35' R404-3568-2
- 55' R404-5568-2



Voltage supply for the URC Remote Condenser is supplied from the Ice Maker. No additional circuit is required.

### OPERATING LIMITS

- Ambient Temp Range 7 - 38°C
- Water Temp Range 7 - 32°C
- Water Pressure 0.7 - 8 kg/cm<sup>2</sup>
- Voltage Range 198 - 254V

### CONDENSING UNIT

- Voltage Range 104 - 127V
- Ambient Temp Range -29 - 50°C

### SERVICE

- Panels easily removed and all components accessible for service.
- Removable/cleanable air filters (Air-Cooled model only)

TEL 1-800-438-6087

FAX 1-800-345-1325

www.hoshizaki.com

Printed in U.S.A.

