

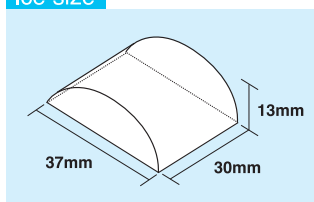


CRESCENT ICE MAKER SERIES



CRESCENT ICE MAKER
KMD-270AA
KMD-270AWA
Up to 270kg daily ice production capacity

Ice size





Crescent Ice Maker Features

- Clear Individual Crescent Ice
- Stainless Steel Evaporator



- New Audible Controller Board



-  Cycle saver design
-  Ever check alert system

- Easy cleaning



- Compact body size
- Noise level minimized down to 53db

- Water cooled available

- Compartmentalized design



Crescent Ice Maker
KMD-270AA

Allows installation on 560mm(22") wide drink dispenser.

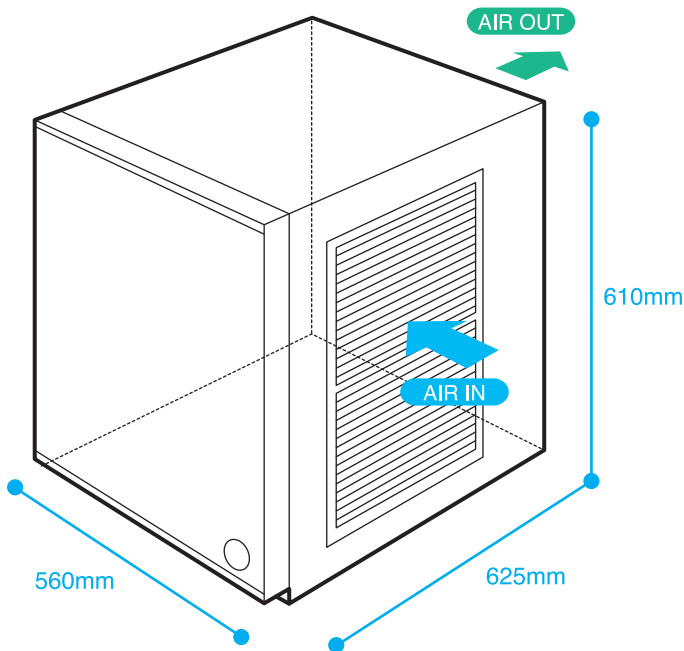


CRESCENT ICE MAKER SERIES

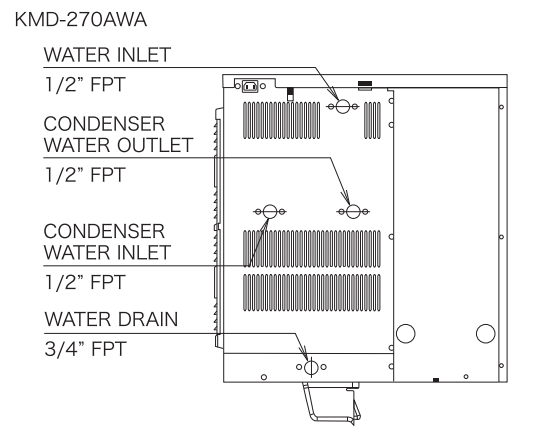
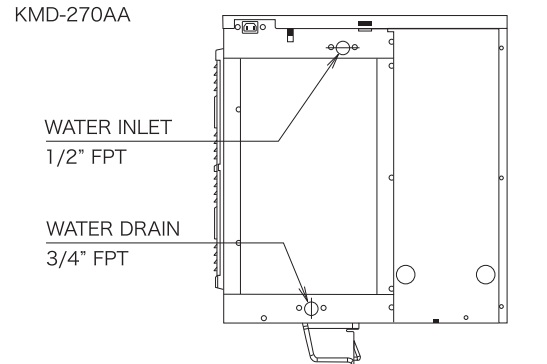
KMD-270AA/KMD-270AWA

DIMENSIONS

KMD-270AA



BACK SIDE



SPECIFICATION

MODEL NAME		KMD-270AA	KMD-270AWA	
AC SUPPLY VOLTAGE		1/220-240V/50Hz	1/220-240V/50Hz	
DIMENSIONS(W x D x H)		560 x 625 x 610(mm)	560 x 625 x 610(mm)	
AMPERAGE		4.9A	4.7A	
STARTING AMPERAGE		24A	26A	
ELECTRICAL CONSUMPTION		1030W	1075W	
CONDENSER		Air - cooled	Water - cooled	
REFRIGERANT CHARGE		R404a / 780g	R404a / 550g	
WATER CONSUMPTION PER 24h (AT21°C / WT15°C)		0.54m ³	0.43m ³	
ICE PRODUCTION PER 24h		2.2L / 1kg Ice	1.7L / 1kg Ice	
		265kg (AT10°C / WT10°C)	270kg (AT10°C / WT10°C)	
		248kg (AT21°C / WT15°C)	260kg (AT21°C / WT15°C)	
ICE PRODUCTION (AT21°C/WT15°C)		221kg (AT32°C / WT21°C)	250kg (AT32°C / WT21°C)	
		FREEZE CYCLE TIME	30.2min	28min
		PER CYCLE	5.7kg / 624pcs	5.5kg / 624pcs
OPERATING CONDITIONS	VOLTAGE RANGE	198-254V	198-254V	
	AMBIENT TEMP	7-40°C	7-40°C	
	WATER SUPPLY	7-35°C / 0.07-0.8Mpa / 7.25 - 116 PSI	7-35°C / 0.07-0.8Mpa / 7.25 - 116 PSI	
PACKAGE (W x D x H)		668 x 727 x 793(mm)	668 x 727 x 793(mm)	
WEIGHT (NET / GROSS)		57kg / 73kg	59kg / 74kg	

●Warranty : Two year parts and labour entire unit, 3rd year on compressor.

HOSHIZAKI

